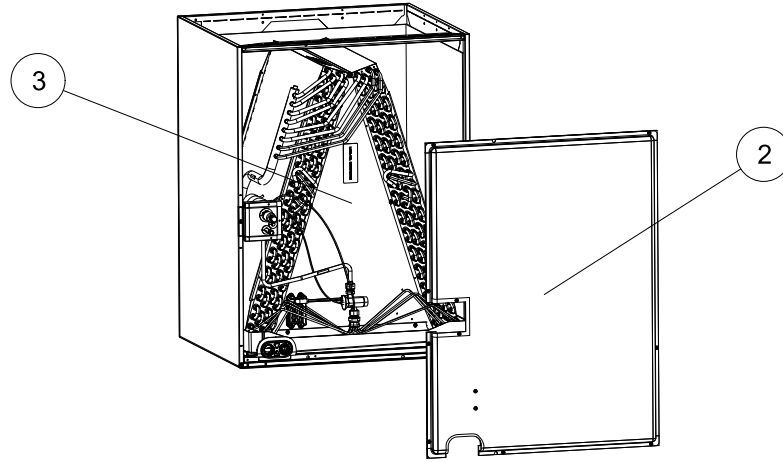


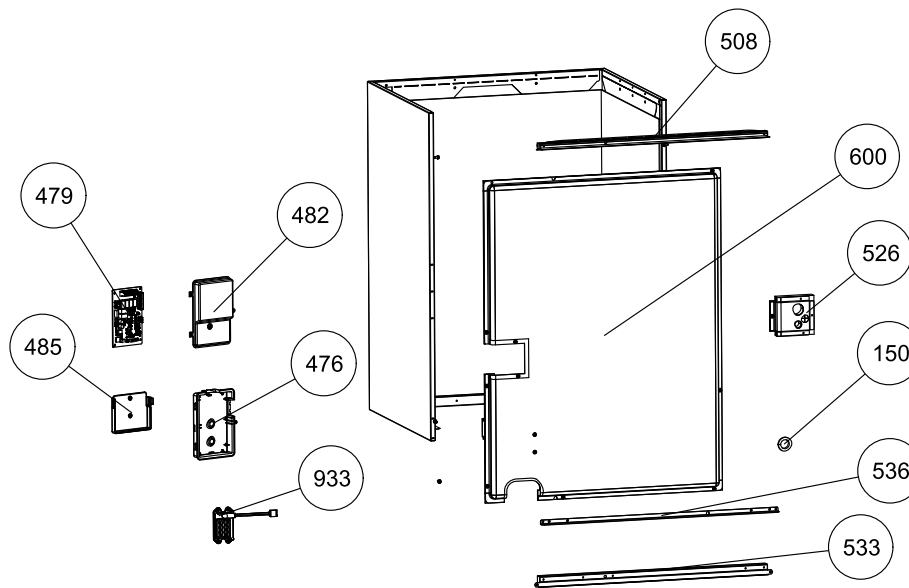
REPAIR PARTS LIST

PRINTED DATE: 1/28/2025

The information provided to you may include Johnson Controls' trade secrets, intellectual property, and confidential business information (including its Bill of Materials), and this information is to be kept in the strictest confidence and not to be disclosed to any third party without the prior written consent of Johnson Controls.



Section	Description
2	SHEET METAL / CABINET PARTS
3	REFRIGERATION SYSTEM
8	MISCELLANEOUS



Section : SHEET METAL / CABINET PARTS

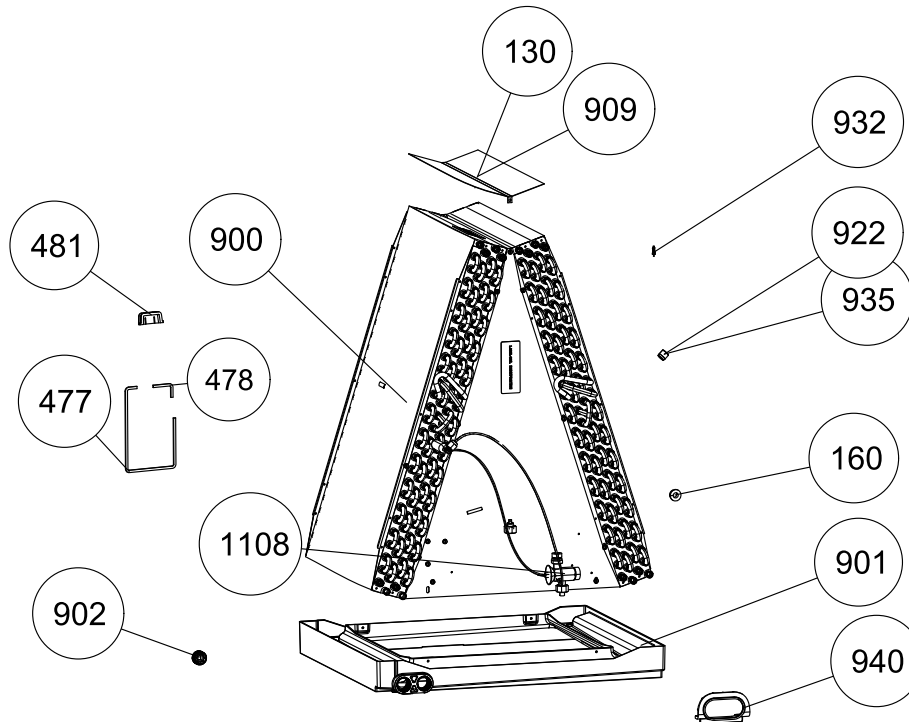
Section	Callout	Replacement Part #	Description	Original Part #	CTF18A5 AAS1	CTF24A5 ABS1	CTF24B5 ABS1	CTF30A5 ADS1	CTF30B5 ACS1
2	150	S1-02813204000	GROMMET 3/4 INCH	S1-02813204000	1	1	1	1	1
2	150	S1-02818924000	GROMMET,0.406 INCH ID X 0.750 INCH	S1-02818924000	2	2	2	2	2
2	479	S1-03103893000	BOARD,CIRCUIT,CTF,CTU	S1-03103893000	1	1	1	1	1
2	480	S1-02553926000	HARNESS,MITIGATION CONTROL,10 PIN	S1-02553926000	1	1	1	1	1
2	508	S1-37348914001	BRACE,ASSEM,CABINET W/INSUL,14.5	S1-37348914001	1	1		1	
2	508	S1-37348915001	BRACE,ASSEM,CABINET W/INSUL,17.5	S1-37348915001			1		1
2	526	S1-37349362001	PNL,ASSEM,TUBING ACCESS W/INSUL,MMIST	S1-37349362001	1	1	1	1	1
2	533	S1-37349358001	BRACE,ASSEM,LOWER W/INSUL,14.5,MMIST	S1-37349358001	1	1		1	
2	533	S1-37349359001	BRACE,ASSEM,LOWER W/INSUL,17.5,MMIST	S1-37349359001			1		1
2	536	S1-07349039001	ANGLE,TRANSITION,14.5,MMIST	S1-07349039001	1	1		1	
2	536	S1-07349040001	ANGLE,TRANSITION,17.5,MMIST	S1-07349040001			1		1
2	600	S1-37349043001	PNL,ASSY,LWR ACCESS,18.9 X 14.5,UP MMIST	S1-37349043001	1				
2	600	S1-37349044001	PNL,ASSY,LWR ACCESS,21.0 X 14.5,UP MMIST	S1-37349044001		1			
2	600	S1-37349045001	PNL,ASSY,LWR ACCESS,24.9 X 14.5,UP MMIST	S1-37349045001				1	

2	600	S1-37349047001	PNL,ASSY,LWR ACCESS,22.4 X 17.5,UP MMIST	S1-37349047001				1		
2	600	S1-37349048001	PNL,ASSY,LWR ACCESS,25.0 X 17.5,UP MMIST	S1-37349048001						1

Section	Callout	Replacement Part #	Description	Original Part #	CTF30C5 ACS1	CTF36B5 ADS1	CTF36B5 CDS1	CTF36B5 CES1	CTF36C5 ADS1
2	150	S1-02813204000	GROMMET 3/4 INCH	S1-02813204000	1	1	1		1
2	150	S1-02813205000	GROMMET 7/8 INCH	S1-02813205000				1	
2	150	S1-02818924000	GROMMET,0.406 INCH ID X 0.750 INCH	S1-02818924000	2	2	2	2	2
2	479	S1-03103893000	BOARD,CIRCUIT,CTF,CTU	S1-03103893000	1	1	1	1	1
2	480	S1-02553926000	HARNESS,MITIGATION CONTROL,10 PIN	S1-02553926000	1	1	1	1	1
2	508	S1-37348915001	BRACE,ASSEM,CABINET W/INSUL,17.5	S1-37348915001		1	1	1	
2	508	S1-37348916001	BRACE,ASSEM,CABINET W/INSUL,21.0	S1-37348916001	1				1
2	526	S1-37349362001	PNL,ASSEM,TUBING ACCESS W/INSUL,MMIST	S1-37349362001	1	1	1	1	1
2	533	S1-37349359001	BRACE,ASSEM,LOWER W/INSUL,17.5,MMIST	S1-37349359001		1	1	1	
2	533	S1-37349360001	BRACE,ASSEM,LOWER W/INSUL,21.0,MMIST	S1-37349360001	1				1
2	536	S1-07349040001	ANGLE,TRANSITION,17.5,MMIST	S1-07349040001		1	1	1	
2	536	S1-07349041001	ANGLE,TRANSITION,21.0,MMIST	S1-07349041001	1				1
2	600	S1-37349048001	PNL,ASSY,LWR ACCESS,25.0 X 17.5,UP MMIST	S1-37349048001		1	1	1	
2	600	S1-37349049001	PNL,ASSY,LWR ACCESS,22.4 X 21.0,UP MMIST	S1-37349049001	1				1

Section	Callout	Replacement Part #	Description	Original Part #	CTF36C5 CDS1				
2	150	S1-02813204000	GROMMET 3/4 INCH	S1-02813204000	1				
2	150	S1-02818924000	GROMMET,0.406 INCH ID X 0.750 INCH	S1-02818924000	2				
2	479	S1-03103893000	BOARD,CIRCUIT,CTF,CTU	S1-03103893000	1				
2	480	S1-02553926000	HARNESS,MITIGATION CONTROL,10 PIN	S1-02553926000	1				
2	508	S1-37348916001	BRACE,ASSEM,CABINET W/INSUL,21.0	S1-37348916001	1				
2	526	S1-37349362001	PNL,ASSEM,TUBING ACCESS W/INSUL,MMIST	S1-37349362001	1				
2	533	S1-37349360001	BRACE,ASSEM,LOWER W/INSUL,21.0,MMIST	S1-37349360001	1				
2	536	S1-07349041001	ANGLE,TRANSITION,21.0,MMIST	S1-07349041001	1				
2	600	S1-37349049001	PNL,ASSY,LWR ACCESS,22.4 X 21.0,UP MMIST	S1-37349049001	1				

Suggested stocking items are shown with shaded item number.



Section : REFRIGERATION SYSTEM

Section	Callout	Replacement Part #	Description	Original Part #	CTF18A5 AAS1	CTF24A5 ABS1	CTF24B5 ABS1	CTF30A5 ADS1	CTF30B5 ACS1
3	130	6423959	CONTROL BOX ASY - A2L	6423959	1	1	1	1	1
3	130	S1-07348953001	SHIELD,BLOWOFF,2 ROW	S1-07348953001	1	1	1		1
3	130	S1-07348954001	SHIELD,BLOWOFF,3 ROW	S1-07348954001				1	
3	900	S1-37349030001	COIL,W/DRAINPAN,2R/14/14.5,A LUM,FLEX	S1-37349030001	1				
3	900	S1-37349031001	COIL,W/DRAINPAN,2R/16/14.5,A LUM,FLEX	S1-37349031001		1			
3	900	S1-37349032001	COIL,W/DRAINPAN,2R/20/17.5,A LUM,FLEX	S1-37349032001					1
3	900	S1-37349364001	COIL,W/DRAINPAN,2R/16/17.5,A LUM,FLEX	S1-37349364001			1		
3	900	S1-37349366001	COIL,W/DRAINPAN,3R/20/14.5,A LUM,FLEX	S1-37349366001				1	
3	901	S1-02818414000	PAN,DRAIN,2R,14.5 IN,A-COIL	S1-02818414000	1	1			
3	901	S1-02818415000	PAN,DRAIN,2R,17.5 IN,A-COIL	S1-02818415000			1		1
3	901	S1-02818417000	PAN,DRAIN,3R,14.5 IN,A-COIL	S1-02818417000				1	
3	902	S1-02812480001	PLUG,DRAIN PAN	S1-02812480001	1	1	1	1	1
3	922	S1-02310745000	CAP,SEAL,KNURLED 7/1	S1-02310745000	1	1	1	1	1
3	932	S1-02202475700	CORE,VLV,V PORT (M10)	S1-02202475700	1	1	1	1	1

3	940	S1-02818913000	GASKET,DRAIN PAN	S1-02818913000	1	1	1	1	1
3	1108	S1-1TVM5A1	TXV KIT,R454B,3/4 INCH,CHATLEFF CONN 5A	S1-1TVM5A1	1	1	1	1	1

Section	Callout	Replacement Part #	Description	Original Part #	CTF30C5 ACS1	CTF36B5 ADS1	CTF36B5 CDS1	CTF36B5 CES1	CTF36C5 ADS1
3	130	6423959	CONTROL BOX ASY - A2L	6423959	1	1	1	1	1
3	130	S1-07348953001	SHIELD,BLOWOFF,2 ROW	S1-07348953001	1				
3	130	S1-07348954001	SHIELD,BLOWOFF,3 ROW	S1-07348954001		1	1	1	
3	900	S1-37349033001	COIL,W/DRAINPAN,3R/20/17.5,A LUM,FLEX	S1-37349033001		1	1		
3	900	S1-37349365001	COIL,W/DRAINPAN,2R/20/21.0,A LUM,FLEX	S1-37349365001	1				
3	900	S1-37349368001	COIL,W/DRAINPAN,3R/22/17.5,A LUM,FLEX	S1-37349368001				1	
3	901	S1-02818416000	PAN,DRAIN,2R,21.0 IN,A-COIL	S1-02818416000	1				
3	901	S1-02818863000	PAN,DRAIN,3R,17.5 IN,A-COIL	S1-02818863000		1	1	1	
3	902	S1-02812480001	PLUG,DRAIN PAN	S1-02812480001	1	1	1	1	
3	922	S1-02310745000	CAP,SEAL,KNURLED 7/1	S1-02310745000	1	1	1	1	1
3	932	S1-02202475700	CORE,VLV,V PORT (M10)	S1-02202475700	1	1	1	1	
3	940	S1-02818913000	GASKET,DRAIN PAN	S1-02818913000	1	1	1	1	1
3	1108	S1-1TVM5A1	TXV KIT,R454B,3/4 INCH,CHATLEFF CONN 5A	S1-1TVM5A1	1	1			
3	1108	S1-1TVM5C1	TXV KIT,R454B,3/4 INCH,CHATLEFF CONN 5C	S1-1TVM5C1			1	1	

Section	Callout	Replacement Part #	Description	Original Part #	CTF36C5 CDS1				
3	130	6423959	CONTROL BOX ASY - A2L	6423959	1				
3	130	S1-07348954001	SHIELD,BLOWOFF,3 ROW	S1-07348954001	1				
3	900	S1-37349367001	COIL,W/DRAINPAN,3R/20/21.0,A LUM,FLEX	S1-37349367001	1				
3	901	S1-02818864000	PAN,DRAIN,3R,21.0 IN,A-COIL	S1-02818864000	1				
3	902	S1-02812480001	PLUG,DRAIN PAN	S1-02812480001	1				
3	922	S1-02310745000	CAP,SEAL,KNURLED 7/1	S1-02310745000	1				
3	932	S1-02202475700	CORE,VLV,V PORT (M10)	S1-02202475700	1				
3	940	S1-02818913000	GASKET,DRAIN PAN	S1-02818913000	1				
3	1108	S1-1TVM5C1	TXV KIT,R454B,3/4 INCH,CHATLEFF CONN 5C	S1-1TVM5C1	1				

Suggested stocking items are shown with shaded item number.

Section : MISCELLANEOUS

Section	Callout	Replacement Part #	Description	Original Part #	CTF18A5 AAS1	CTF24A5 ABS1	CTF24B5 ABS1	CTF30A5 ADS1	CTF30B5 ACS1
8	NS	S1-02131419000	WASHER, TXV	S1-02131419000	1	1	1	1	1
8	NS	S1-02554126000	SENSOR, A2L REFRIGERANT, 96 INCH, SENSATA	S1-02554126000	1	1	1	1	1

Section	Callout	Replacement Part #	Description	Original Part #	CTF30C5 ACS1	CTF36B5 ADS1	CTF36B5 CDS1	CTF36B5 CES1	CTF36C5 ADS1
8	NS	S1-02131419000	WASHER, TXV	S1-02131419000	1	1	1	1	1
8	NS	S1-02202475700	CORE, VLV, V PORT (M10)	S1-02202475700					1
8	NS	S1-02310745000	CAP, SEAL, KNURLED 7/1	S1-02310745000					1
8	NS	S1-02554126000	SENSOR, A2L REFRIGERANT, 96 INCH, SENSATA	S1-02554126000	1	1	1	1	1
8	NS	S1-02812480001	PLUG, DRAIN PAN	S1-02812480001					1
8	NS	S1-02818864000	PAN, DRAIN, 3R, 21.0 IN, A-COIL	S1-02818864000					1
8	NS	S1-07348954001	SHIELD, BLOWOFF, 3 ROW	S1-07348954001					1
8	NS	S1-1TVM5A1	TXV KIT, R454B, 3/4 INCH, CHATLEFF CONN 5A	S1-1TVM5A1					1
8	NS	S1-37349367001	COIL, W/DRAIN PAN, 3R/20/21.0, ALUM, FLEX	S1-37349367001					1

Section	Callout	Replacement Part #	Description	Original Part #	CTF36C5 CDS1				
8	NS	S1-02131419000	WASHER, TXV	S1-02131419000	1				
8	NS	S1-02554126000	SENSOR, A2L REFRIGERANT, 96 INCH, SENSATA	S1-02554126000	1				

Suggested stocking items are shown with shaded item number.

Model series repair parts lists are generated for each model number from the last production bill of material.

Major components and suggested stocking items are shown with shaded item number.

Repair parts lists are subject to change without notice.

TO ORDER AUTHORIZED FACTORY REPLACEMENT PARTS - Contact your Source1 HVAC Parts Distributor or visit our website at www.Source1Parts.com for a Distributor and Dealer listing.

Copyright © 2025 by Johnson Controls Inc. All rights reserved.

Johnson Controls Unitary Products