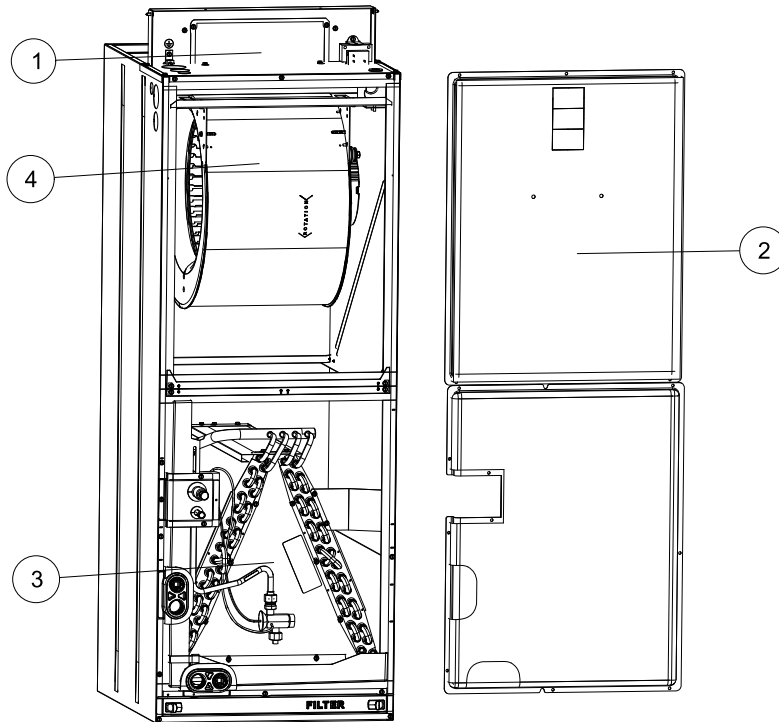


RFC SERIES SINGLE PIECE AIR HANDLERS WITH ECM MOTORS, TXV COIL MODELS

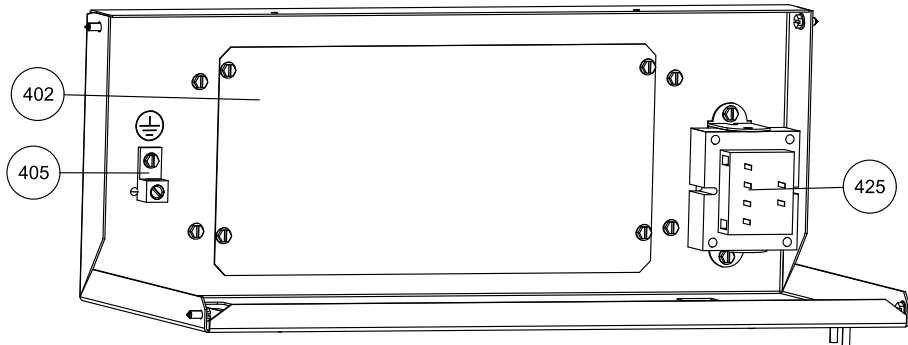
REPAIR PARTS LIST

PRINTED DATE: 4/9/2024

The information provided to you may include Johnson Controls' trade secrets, intellectual property, and confidential business information (including its Bill of Materials), and this information is to be kept in the strictest confidence and not to be disclosed to any third party without the prior written consent of Johnson Controls.



Section	Description
1	ELECTRICAL BOX / CONTROLS
2	SHEET METAL / CABINET PARTS
3	REFRIGERATION SYSTEM
4	INDOOR BLOWER PARTS
8	MISCELLANEOUS
9	WIRING DIAGRAMS / VFD PARAMETERS
10	HARNESSES

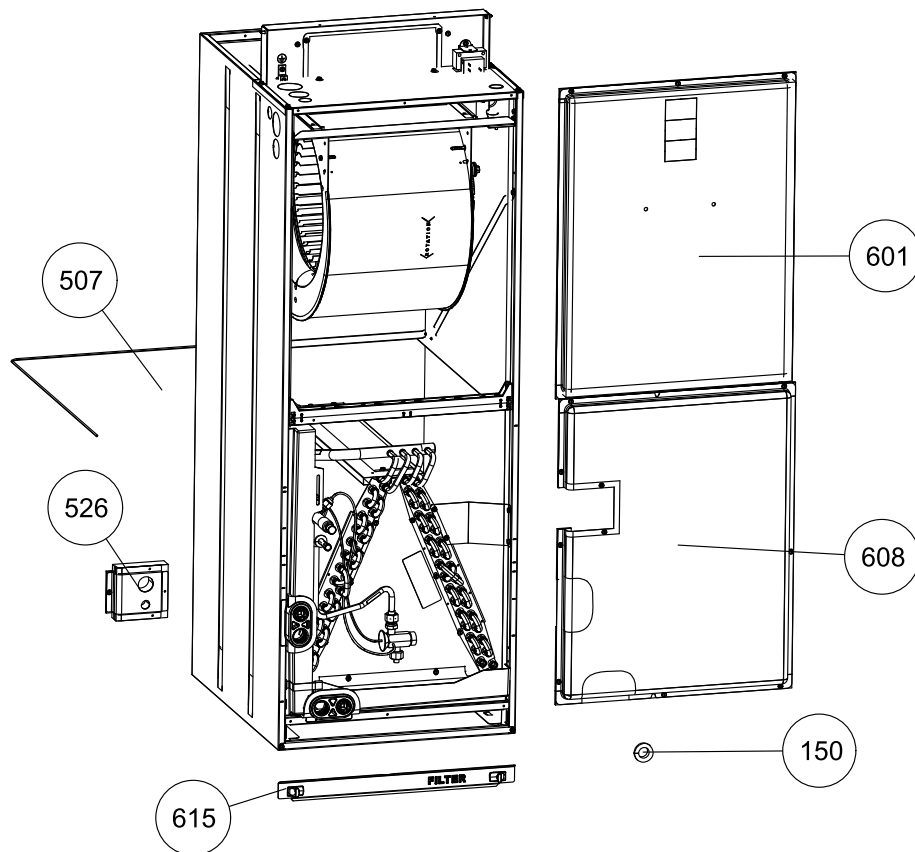


Section : ELECTRICAL BOX / CONTROLS

Section	Callout	Replacement Part #	Description	Original Part #	RFCC36D BCEMP2 N1	RFCC36D BCEMP2 N1	RFCC36D BCEMP2 N1	RFCC42F BCEMP2 N1	RFCC48 GBCEMP 2N1
1	402	S1-07339412001	COVER,HEAT	S1-07339412001	1	1	1	1	1
1	405	S1-02521798000	LUG,GROUND,ELECTRICAL ALUMINUM 1.06 X .5	S1-02521798000	1	1	1	1	1
1	425	S1-02518452700	TRNSF,208/240V,24V/40VA,50/60 HZ	S1-02518452700	1	1	1	1	1

Section	Callout	Replacement Part #	Description	Original Part #	RFCC60H BCEMP2 N1	RFCD48 GBCEMP 2N1	RFCD60H BCEMP2 N1	RFCD60J BCEMP2 N1	
1	402	S1-07339412001	COVER,HEAT	S1-07339412001	1	1	1	1	
1	405	S1-02521798000	LUG,GROUND,ELECTRICAL ALUMINUM 1.06 X .5	S1-02521798000	1	1	1	1	
1	425	S1-02518452700	TRNSF,208/240V,24V/40VA,50/60 HZ	S1-02518452700	1	1	1	1	

Suggested stocking items are shown with shaded item number.



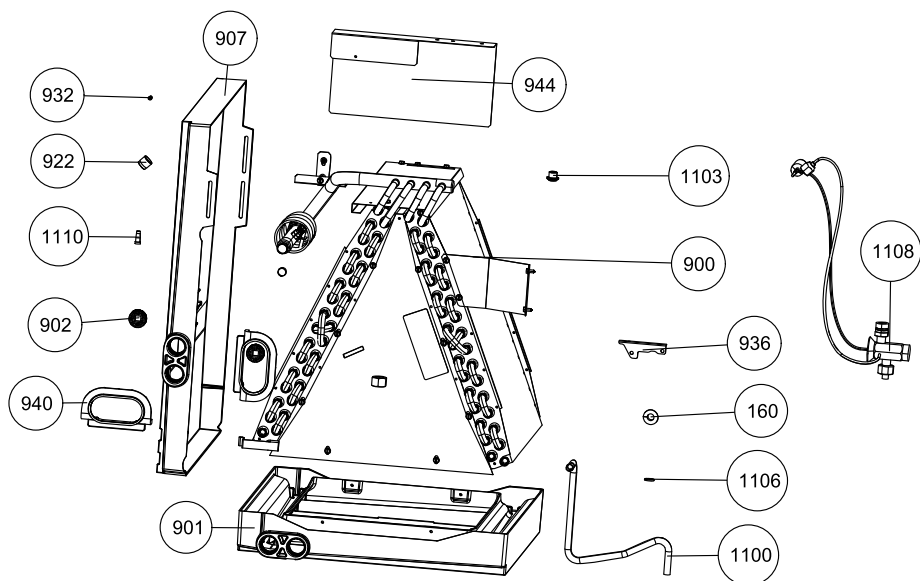
Section : SHEET METAL / CABINET PARTS

Section	Callout	Replacement Part #	Description	Original Part #	RFCB36D BCEMP2 N1	RFCB36D BCEMP2 N1	RFC36D BCEMP2 N1	RFCC42F BCEMP2 N1	RFCC48 GBCEMP 2N1
2	NS	S1-02818911000	KNOB,PANEL,ACCESS,FILTER	S1-02818911000	2	2	2	2	2
2	150	S1-02813204000	GROMMET 3/4 INCH	S1-02813204000	1	1	1		
2	150	S1-02813205000	GROMMET 7/8 INCH	S1-02813205000				1	1
2	507	S1-02925441000	INSULATION RETAINER,B-CABINET	S1-02925441000	1	1			
2	507	S1-02925442000	INSULATION RETAINER,C-CABINET	S1-02925442000			1	1	1
2	512	S1-02818907000	BRACE,CABINET,CENTER,17.5	S1-02818907000	1	1			
2	512	S1-02818908000	BRACE,CABINET,CENTER,21.5	S1-02818908000			1	1	1
2	523	S1-37348867001	PNL,ASSEM,TOP,W/INSUL,17.5,CHAMP	S1-37348867001	1	1			
2	523	S1-37348868001	PNL,ASSEM,TOP,W/INSUL,21.0,CHAMP	S1-37348868001			1	1	1
2	526	S1-37348887001	PNL,ASSEM,TUBING ACCESS,W/INSUL,GRANT	S1-37348887001	1	1		1	1
2	601	S1-37348889001	PNL,ASSEM,UPPER ACCESS,17.5,GRANT	S1-37348889001	1	1			
2	601	S1-37348891001	PNL,ASSEM,UPPER ACCESS,21.0,GRANT	S1-37348891001			1	1	1
2	608	S1-37348873001	PNL,ASSEM,LOWER ACCESS,25.0 X 17.5,GRANT	S1-37348873001	1	1			

2	608	S1-37348875001	PNL,ASSEM,LOWER ACCESS,26.4 X 21.0,GRANT	S1-37348875001			1		
2	608	S1-37348878001	PNL,ASSEM,LOWER ACCESS,32.4 X 21.0,GRANT	S1-37348878001				1	
2	608	S1-37348880001	PNL,ASSEM,LOWER ACCESS,36.6 X 21.0,GRANT	S1-37348880001					1
2	615	S1-37348862001	PNL,ASSEM,FILTER ACCESS,17.5,GRANT	S1-37348862001	1	1			
2	615	S1-37348864001	PNL,ASSEM,FILTER ACCESS,21.0,GRANT	S1-37348864001			1	1	1
2	617	S1-02817061001	GASKET,FOAM,5/8 X 1/8 INCH,100 FOOT ROLL	S1-02817061001	2	2			

Section	Callout	Replacement Part #	Description	Original Part #	RFCC60H BCEMP2 N1	RFCD48 GBCEMP 2N1	RFCD60H BCEMP2 N1	RFCD60J BCEMP2 N1	
2	NS	S1-02818911000	KNOB,PANEL,ACCESS,FILTER	S1-02818911000	2	2	2	2	
2	150	S1-02813205000	GROMMET 7/8 INCH	S1-02813205000	1	1	1	1	
2	507	S1-02925442000	INSULATION RETAINER,C-CABINET	S1-02925442000	1				
2	507	S1-02925443000	INSULATION RETAINER,D-CABINET	S1-02925443000		1	1	1	
2	512	S1-02818908000	BRACE,CABINET,CENTER,21.5	S1-02818908000	1				
2	512	S1-02818909000	BRACE,CABINET,CENTER,24.5	S1-02818909000		1	1	1	
2	523	S1-37348868001	PNL,ASSEM,TOP,W/INSUL,21.0,CHAMP	S1-37348868001	1				
2	523	S1-37348869001	PNL,ASSEM,TOP,W/INSUL,24.5,CHAMP	S1-37348869001		1	1	1	
2	526	S1-37348887001	PNL,ASSEM,TUBING ACCESS,W/INSUL,GRANT	S1-37348887001	1			1	
2	601	S1-37348891001	PNL,ASSEM,UPPER ACCESS,21.0,GRANT	S1-37348891001	1				
2	601	S1-37348893001	PNL,ASSEM,UPPER ACCESS,24.5,GRANT	S1-37348893001		1	1	1	
2	608	S1-37348882001	PNL,ASSEM,LOWER ACCESS,36.6 X 24.5,GRANT	S1-37348882001		1		1	
2	608	S1-37348884001	PNL,ASSEM,LOWER ACCESS,38.4 X 21.0,GRANT	S1-37348884001	1				
2	608	S1-37348886001	PNL,ASSEM,LOWER ACCESS,38.4 X 24.5,GRANT	S1-37348886001			1		
2	615	S1-37348864001	PNL,ASSEM,FILTER ACCESS,21.0,GRANT	S1-37348864001	1				
2	615	S1-37348866001	PNL,ASSEM,FILTER ACCESS,24.5,GRANT	S1-37348866001		1	1	1	

Suggested stocking items are shown with shaded item number.



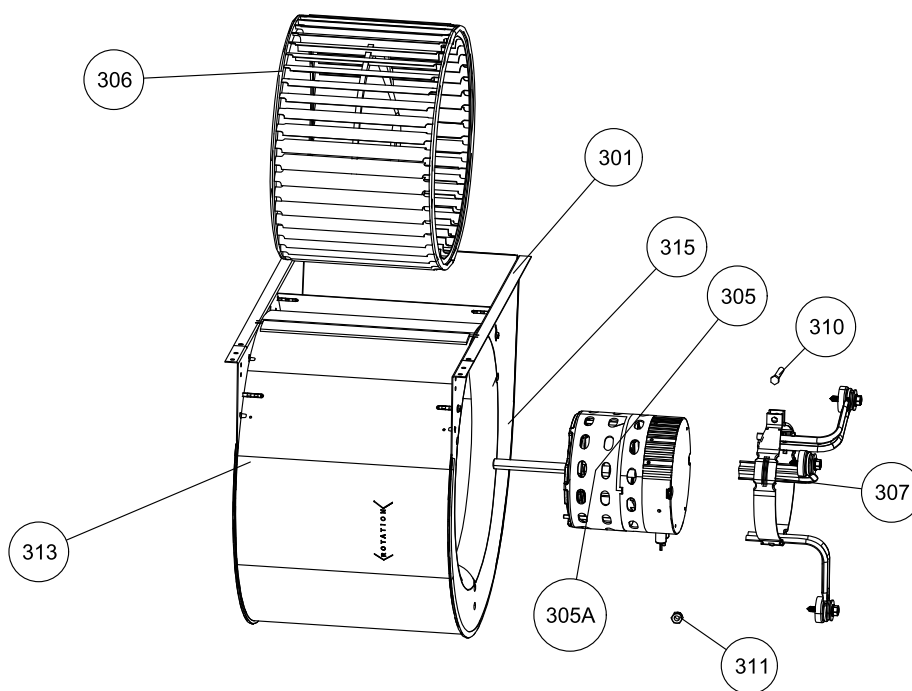
Section : REFRIGERATION SYSTEM

Section	Callout	Replacement Part #	Description	Original Part #	RFCB36D BCEMP2 N1	RFCB36D BCEMP2 N1	RFCC36D BCEMP2 N1	RFCC42F BCEMP2 N1	RFCC48 GBCEMP 2N1
3	NS	S1-02131419000	WASHER, TXV	S1-02131419000	2	2	2	2	2
3	160	S1-02813209000	GROMMET 3/8 INCH	S1-02813209000	1	1		1	1
3	900	S1-37348832001	COIL W/HORIZ DP, (3R/20/17.5), ALU FLEX	S1-37348832001	1	1			
3	900	S1-37348833001	COIL W/HORIZ DP, (3R/20/21.0), ALU FLEX	S1-37348833001			1		
3	900	S1-37348834001	COIL W/HORIZ DP, (3R/24/21.0), ALU FLEX	S1-37348834001				1	
3	900	S1-37348836001	COIL W/HORIZ DP, (3R/28/21.0), ALU FLEX	S1-37348836001					1
3	901	S1-02818863000	PAN, DRAIN, 3R, 17.5 IN, A-COIL	S1-02818863000	1	1			
3	901	S1-02818864000	PAN, DRAIN, 3R, 21.0 IN, A-COIL	S1-02818864000			1	1	1
3	902	S1-02812480001	PLUG, DRAIN PAN	S1-02812480001	3	3	3	3	3
3	907	S1-02818872000	PAN, DRAIN, HORIZONTAL, 23.80 IN, A-COIL	S1-02818872000	1	1	1		
3	907	S1-02818874000	PAN, DRAIN, HORIZONTAL, 30.90 IN, A-COIL	S1-02818874000				1	
3	907	S1-02818875000	PAN, DRAIN, HORIZONTAL, 35.35 IN, A-COIL	S1-02818875000					1
3	909	S1-07348813001	SHIELD, BLOWOFF, 3 ROW	S1-07348813001	1	1	1	1	1

3	922	S1-02310745000	CAP,SEAL,KNURLED 7/1	S1-02310745000	1	1	1	1	1
3	932	S1-02202475700	CORE,VLV,V PORT (M10)	S1-02202475700	1	1	1	1	1
3	935	S1-02310745000	CAP,SEAL,KNURLED 7/1	S1-02310745000	1	1	1	1	1
3	940	S1-02818913000	GASKET,DRAIN PAN	S1-02818913000	2	2	2	2	2
3	1106	S1-02131419000	WASHER,TXV	S1-02131419000	1	1	1	1	1
3	1108	S1-1TVMBC1	KIT, TXV, R-410A, 3/4 INCH CHATLEFF CONN	S1-1TVMBC1	1	1	1	1	1

Section	Callout	Replacement Part #	Description	Original Part #	RFCC60H BCOMP2 N1	RFCD48 GBCOMP 2N1	RFCD60H BCOMP2 N1	RFCD60J BCOMP2 N1	
3	NS	S1-02131419000	WASHER, TXV	S1-02131419000	2	2	2	2	
3	160	S1-02813209000	GROMMET 3/8 INCH	S1-02813209000	1			1	
3	900	S1-37348837001	COIL W/HORIZ DP,(3R/28/24.5),ALU FLEX	S1-37348837001		1			
3	900	S1-37348838001	COIL W/HORIZ DP,(3R/32/21.0),ALU FLEX	S1-37348838001	1				
3	900	S1-37348839001	COIL W/HORIZ DP,(3R/32/24.5),ALU FLEX	S1-37348839001			1		
3	900	S1-37348840001	COIL W/HORIZ DP,(4R/28/24.5),ALU FLEX	S1-37348840001				1	
3	901	S1-02818864000	PAN,DRAIN,3R,21.0 IN,A-COIL	S1-02818864000	1				
3	901	S1-02818865000	PAN,DRAIN,3R,24.5 IN,A-COIL	S1-02818865000		1	1		
3	901	S1-02818866000	PAN,DRAIN,4R,24.5 IN,A-COIL	S1-02818866000				1	
3	902	S1-02812480001	PLUG,DRAIN PAN	S1-02812480001	3	3	3	3	
3	907	S1-02818875000	PAN,DRAIN,HORIZONTAL,35.35 IN,A-COIL	S1-02818875000		1		1	
3	907	S1-02818876000	PAN,DRAIN,HORIZONTAL,37.26 IN,A-COIL	S1-02818876000	1		1		
3	909	S1-07348813001	SHIELD.BLOWOFF,3 ROW	S1-07348813001	1	1	1		
3	909	S1-07348814001	SHIELD.BLOWOFF,4 ROW	S1-07348814001				1	
3	922	S1-02310745000	CAP,SEAL,KNURLED 7/1	S1-02310745000	1	1	1	1	
3	932	S1-02202475700	CORE,VLV,V PORT (M10)	S1-02202475700	1	1	1	1	
3	935	S1-02310745000	CAP,SEAL,KNURLED 7/1	S1-02310745000	1	1	1	1	
3	940	S1-02818913000	GASKET,DRAIN PAN	S1-02818913000	2	2	2	2	
3	1106	S1-02131419000	WASHER, TXV	S1-02131419000	1	1	1	1	
3	1108	S1-1TVMBC1	KIT, TXV, R-410A, 3/4 INCH CHATLEFF CONN	S1-1TVMBC1	1	1	1	1	

Suggested stocking items are shown with shaded item number.



Section : INDOOR BLOWER PARTS

Section	Callout	Replacement Part #	Description	Original Part #	RFCB36D BCEMP2 N1	RFCB36D BCEMP2 N1	RFCC36D BCEMP2 N1	RFCC42F BCEMP2 N1	RFCC48 GBCEMP 2N1
4	305	S1-32442186002	MTR,BLW,PRGRM,1/2,230V,EC M,BROAD OCEAN	S1- 32442186 002	1	1			
4	305	S1-32442186003	MTR,BLW,PRGRM,1/2,230V,EC M,BROAD OCEAN	S1- 32442186 003			1		
4	305	S1-32442186004	MTR,BLW,PRGRM,1/2,230V,EC M,BROAD OCEAN	S1- 32442186 004				1	
4	305	S1-32442187001	MTR,BLW,PRGRM,3/4,230V,EC M,BROAD OCEAN	S1- 32442187 001					1
4	305A	S1-02442186000	MTR,BLW,UNPRGRM,1/2,230V, ECM,BROAD OCEAN	S1- 02442186 000	1	1	1	1	
4	305A	S1-02442187000	MTR,BLW,UNPRGRM,3/4,230V, ECM,BROAD OCEAN	S1- 02442187 000					1
4	306	S1-02619654012	WHL,BLW,11 X 10,CW,1/2 BORE	S1- 02619654 012			1	1	1
4	306	S1-02619654012	WHL,BLW,11 X 10,CW,1/2 BORE	S1- 02634501 000			1	1	1
4	306	S1-02650615000	WHL,BLW,11-8	S1- 02650615 000	1	1			
4	307	S1-32650612001	MOUNT,ASSEMBLY,BLWR MOTOR	S1- 32650612 001	1	1	1	1	1
4	311	S1-02108968000	NUT,HEX,SELF LOCKING,1/4-20	S1- 02108968 000	1	1	1	1	1
4	313	S1-37348827001	HOUSING,BLOWER,11- 8,AHU/MOD	S1- 37348827 001	1	1			
4	313	S1-37348828001	HOUSING,BLOWER,11- 10,AHU/MOD	S1- 37348828 001			1	1	1

Section	Callout	Replacement Part #	Description	Original Part #	RFCC60H BCEMP2 N1	RFCD48 GBCEMP 2N1	RFCD60H BCEMP2 N1	RFCD60J BCEMP2 N1	
4	305	S1-32442187002	MTR,BLW,PRGRM,3/4,230V,EC M,BROAD OCEAN	S1- 32442187 002	1				
4	305	S1-32442187003	MTR,BLW,PRGRM,3/4,230V,EC M,BROAD OCEAN	S1- 32442187 003		1			
4	305	S1-32442187004	MTR,BLW,PRGRM,3/4,230V,EC M,BROAD OCEAN	S1- 32442187 004			1		
4	305	S1-32442187005	MTR,BLW,PRGRM,3/4,230V,EC M,BROAD OCEAN	S1- 32442187 005				1	
4	305A	S1-02442187000	MTR,BLW,UNPRGRM,3/4,230V, ECM,BROAD OCEAN	S1- 02442187 000	1	1	1	1	
4	306	S1-02619654012	WHL,BLW,11 X 10,CW,1/2 BORE	S1- 02619654 012	1				
4	306	S1-02619654012	WHL,BLW,11 X 10,CW,1/2 BORE	S1- 02634501 000	1				
4	306	S1-02638510000	WHL,BLW 11X11,CW,1/2" BORE	S1- 02638510 000		1	1	1	
4	307	S1-32650612001	MOUNT,ASSEMBLY,BLWR MOTOR	S1- 32650612 001	1	1	1	1	
4	311	S1-02108968000	NUT,HEX,SELF LOCKING,1/4-20	S1- 02108968 000	1	1	1	1	
4	313	S1-37348828001	HOUSING,BLOWER,11- 10,AHU/MOD	S1- 37348828 001	1				
4	313	S1-37348829001	HOUSING,BLOWER,11- 11,AHU/MOD	S1- 37348829 001		1	1	1	

Suggested stocking items are shown with shaded item number.

Section : MISCELLANEOUS

Section	Callout	Replacement Part #	Description	Original Part #	RFCB36D BCEMP2 N1	RFCB36D BCEMP2 N1	RFCC36D BCEMP2 N1	RFCC42F BCEMP2 N1	RFCC48 GBCEMP 2N1
8	NS	6112631	INSTALL MANUAL - RFC STD ECM	6112631	1	1	1	1	1
8	NS	S1-02527642000	CABLE STRAP,BLACK	S1- 02509607 000	1	1			
8	NS	S1-02816488000	BADGING,GUARDIAN,ID,ML (M24)	S1- 02816488 000	1	1			
8	NS	S1-02816489000	BADGING,EVCON,ID,ML (M24)	S1- 02816489 000	1	1			
8	NS	S1-02816490000	BADGING,DAYTON,ID,ML (M24)	S1- 02816490 000	1	1			
8	NS	S1-02818924000	GROMMET,0.406 INCH ID X 0.750 INCH	S1- 02818924 000			1		

Section	Callout	Replacement Part #	Description	Original Part #	RFCC60H BCEMP2 N1	RFCD48 GBCEMP 2N1	RFCD60H BCEMP2 N1	RFCD60J BCEMP2 N1	
8	NS	6112631	INSTALL MANUAL - RFC STD ECM	6112631	1	1	1	1	
8	NS	S1-02818924000	GROMMET,0.406 INCH ID X 0.750 INCH	S1- 02818924 000		1	1		

Suggested stocking items are shown with shaded item number.

Section : WIRING DIAGRAMS / VFD PARAMETERS

Section	Callout	Replacement Part #	Description	Original Part #	RFCC36D BCEMP2 N1	RFCC36D BCEMP2 N1	RFCC36D BCEMP2 N1	RFCC42F BCEMP2 N1	RFCC48 GBCEMP 2N1
9	9	6113166	WIRING DIAGRAM - 5.5 X 8.5 STD ECM	6113166	1	1	1	1	1

Section	Callout	Replacement Part #	Description	Original Part #	RFCC60H BCEMP2 N1	RFCD48 GBCEMP 2N1	RFCD60H BCEMP2 N1	RFCD60J BCEMP2 N1	
9	9	6113166	WIRING DIAGRAM - 5.5 X 8.5 STD ECM	6113166	1	1	1	1	

Suggested stocking items are shown with shaded item number.

Section : HARNESES

Section	Callout	Replacement Part #	Description	Original Part #	RF36D BCEMP2 N1	RF36D BCEMP2 N1	RF36D BCEMP2 N1	RF42F BCEMP2 N1	RF48 GBCEMP 2N1
10	406	S1-02552099000	HARNESS,JHET/JMET,ECM STD	S1- 02552099 000	1	1	1	1	1

Section	Callout	Replacement Part #	Description	Original Part #	RF60H BCEMP2 N1	RF48 GBCEMP 2N1	RF60H BCEMP2 N1	RF60J BCEMP2 N1	
10	406	S1-02552099000	HARNESS,JHET/JMET,ECM STD	S1- 02552099 000	1	1	1	1	

Suggested stocking items are shown with shaded item number.

Model series repair parts lists are generated for each model number from the last production bill of material.

Major components and suggested stocking items are shown with shaded item number.

Repair parts lists are subject to change without notice.

TO ORDER AUTHORIZED FACTORY REPLACEMENT PARTS - Contact your Source1 HVAC Parts Distributor or visit our website at www.Source1Parts.com for a Distributor and Dealer listing.

Copyright © 2024 by Johnson Controls Inc. All rights reserved.

Johnson Controls Unitary Products